

Name: _____

Exam Style Questions
Surface Area of an
L-shaped Prism



Corbettmaths

Ensure you have: Pencil, pen, ruler, protractor, pair of compasses and eraser

You may use tracing paper if needed

Guidance

1. Read each question carefully before you begin answering it.
2. Don't spend too long on one question.
3. Attempt every question.
4. Check your answers seem right.
5. Always show your workings

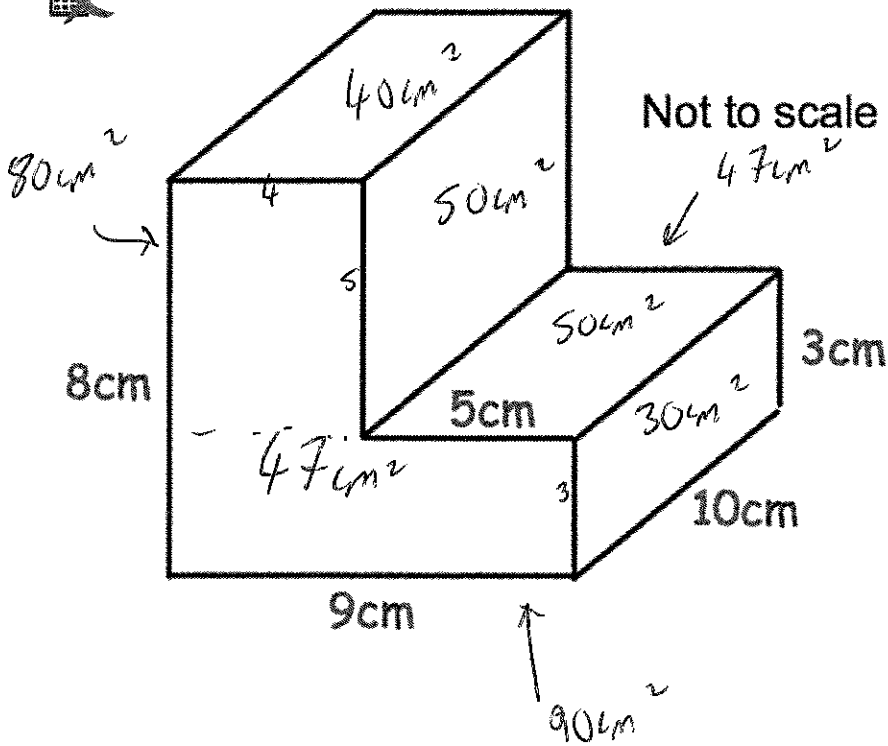
Revision for this topic

www.corbettmaths.com/contents

Video 311



1. The diagram shows a prism.



Work out the surface area of the prism.

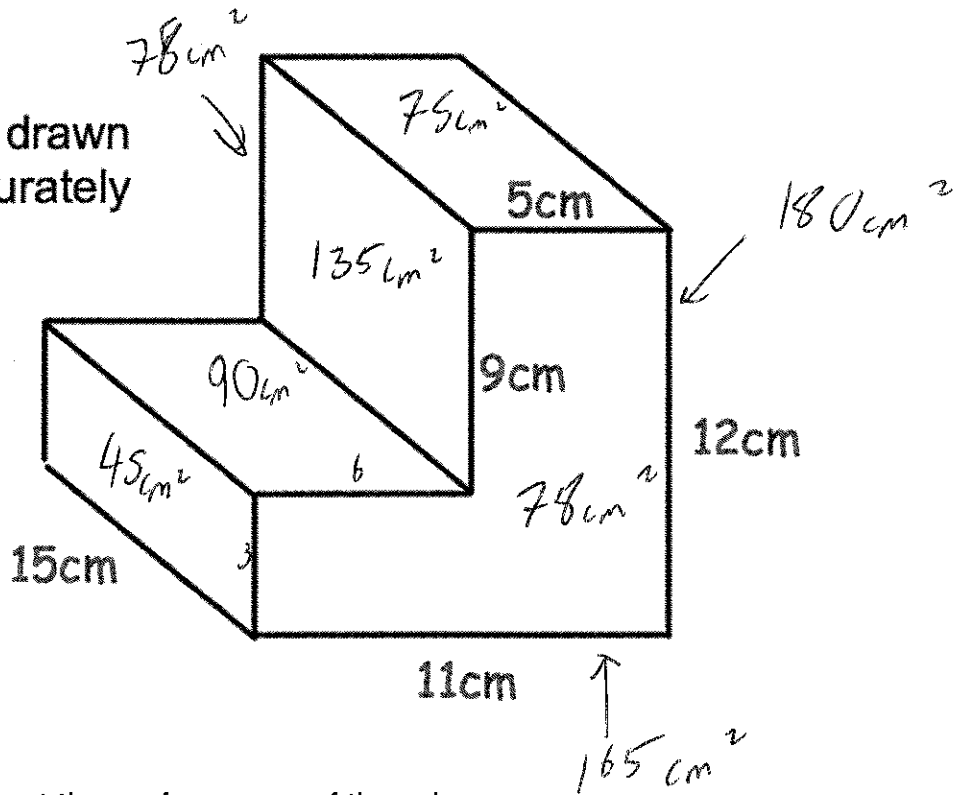
$$\begin{array}{r}
 30 \\
 50 \\
 50 \\
 40 \\
 60 \\
 90 \\
 47 \\
 + 47 \\
 \hline
 \end{array}$$

$$\begin{array}{r}
 434 \\
 \dots\dots\dots\text{cm}^2 \\
 (4)
 \end{array}$$

2. The diagram shows a prism.



Not drawn accurately



Work out the surface area of the prism.

$$\begin{array}{r}
 45 \\
 90 \\
 135 \\
 75 \\
 180 \\
 165 \\
 78 \\
 78 \\
 + \\
 \hline
 \end{array}$$

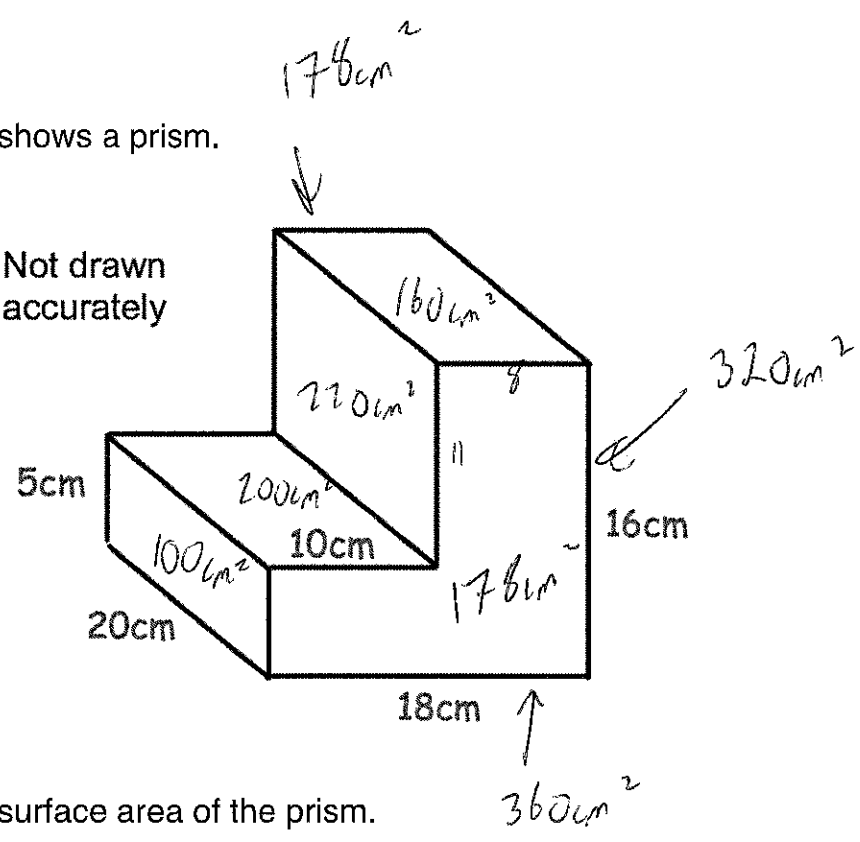
846

.....cm²
(4)

3. The diagram shows a prism.



Not drawn accurately



Work out the surface area of the prism.

$$\begin{array}{r}
 176 \\
 176 \\
 100 \\
 200 \\
 220 \\
 160 \\
 320 \\
 + 360 \\
 \hline
 \end{array}$$

$$\begin{array}{r}
 1716 \\
 \hline
 \end{array}
 \text{cm}^2$$

(4)